

ROOF RESTORATION and IMPROVEMENT PROJECT to ENGINE #9

HON. KATHY M. SHEEHAN ~ MAYOR
RANDALL J. MILANO, P.E. ~ CITY ENGINEER

JAMES DALY TOBIN — ARCHITECTS
15 DARK BAY LANE
LAKE GEORGE, NEW YORK 12845
518-668-3609 E-MAIL: JIMJDTA@ROADRUNNER.COM

LIST OF DRAWINGS

ARCHITECTURAL

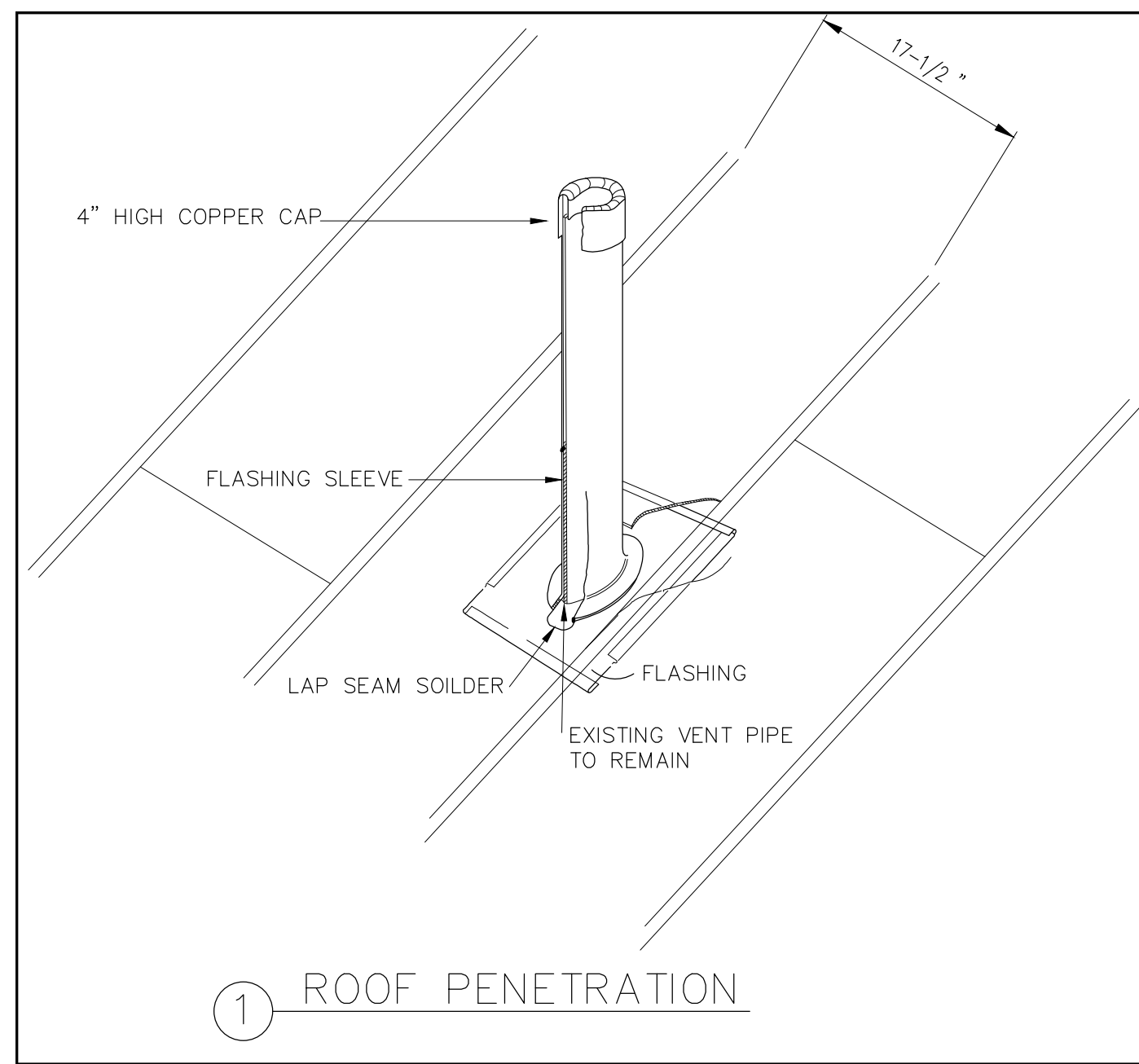
A-2.0 TITLE PAGE
A-2.1 ENGINE #9 ROOF PLAN, SCHEDULE & DETAILS
A-2.2 ENGINE #9 ROOF DETAILS
A-2.3 ENGINE #9 EXTERIOR ELEVATIONS

BUILDING CODE

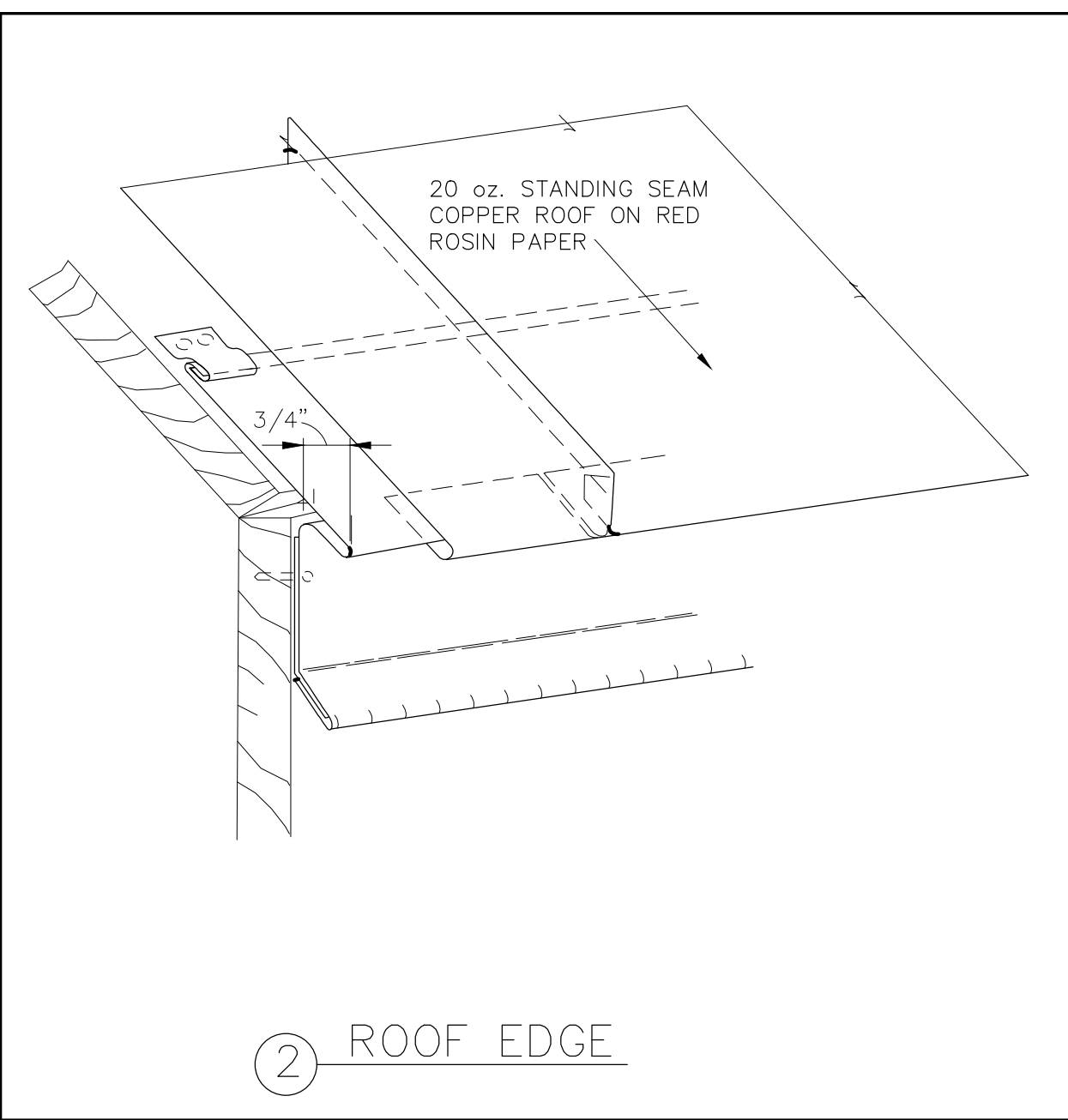
JURISDICTION AUTHORITY
CITY OF ALBANY
BUILDINGS and REGULATORY COMPLIANCE
200 HENRY JOHNSON BLVD.
ALBANY, NEW YORK 12210
518-434-5165

ADOPTED CODES

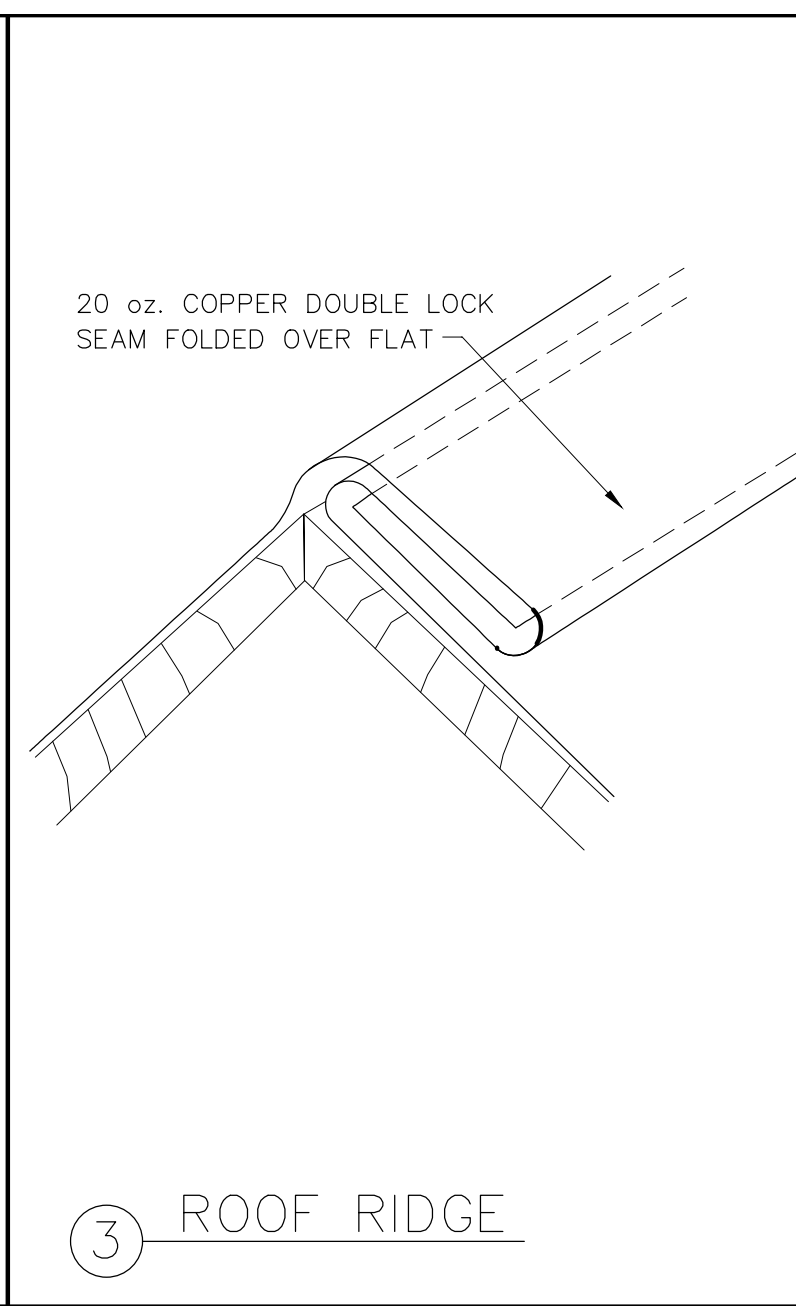
BUILDING: EXISTING BUILDING CODE of NEW YORK STATE 2015
CHAPTER 6 — REPAIRS
CHAPTER 12 — HISTORIC BUILDINGS



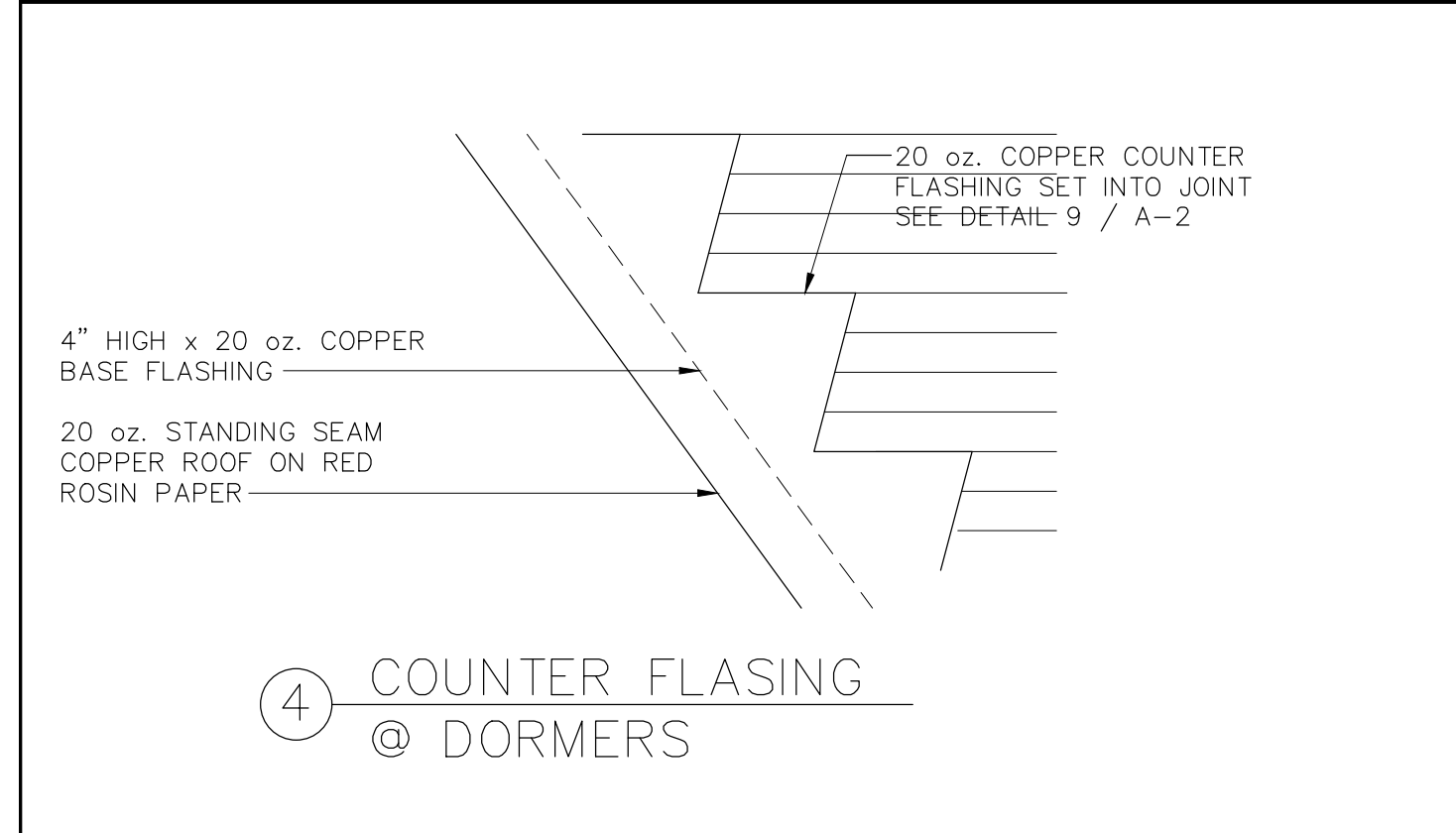
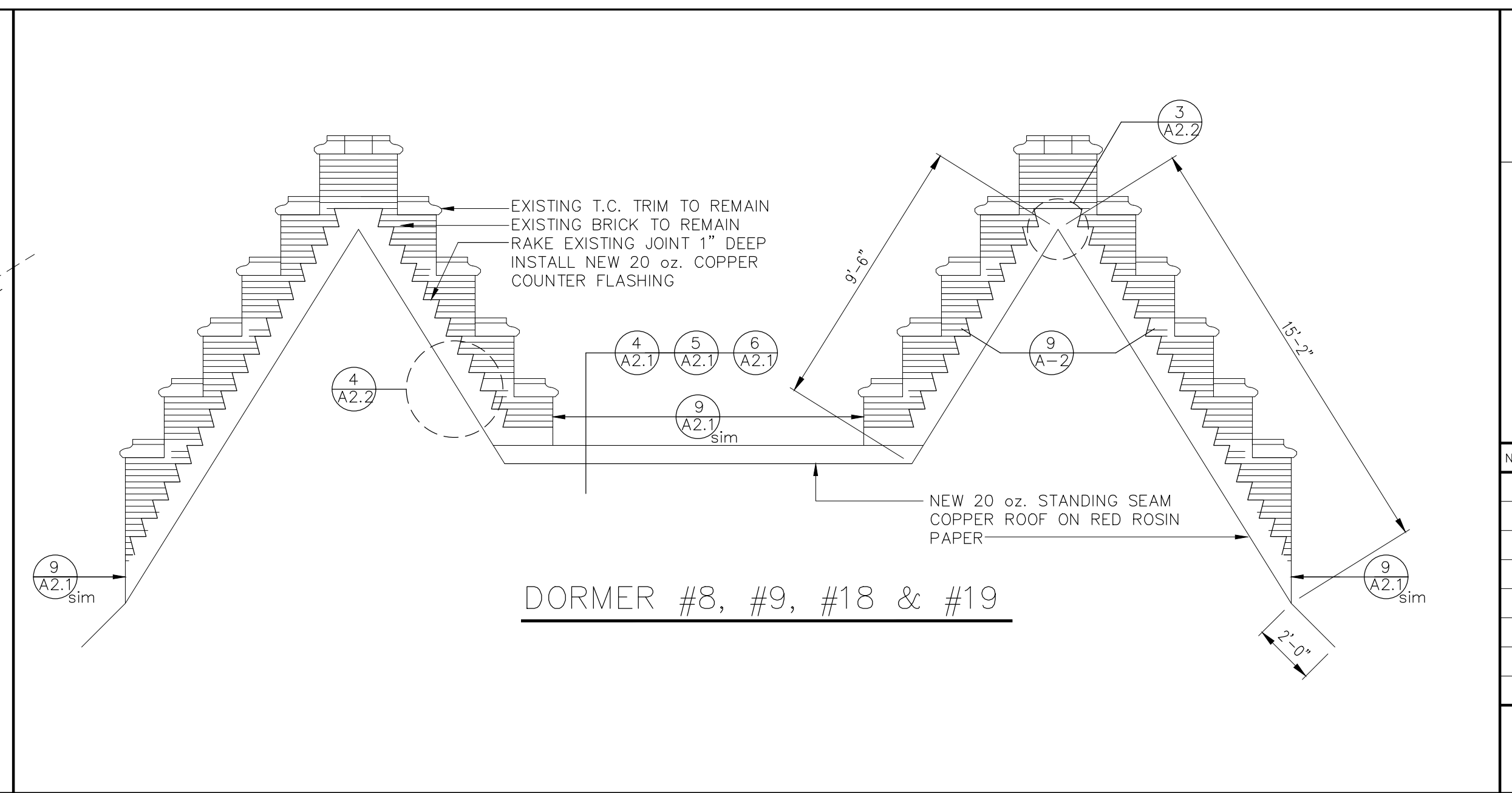
① ROOF PENETRATION



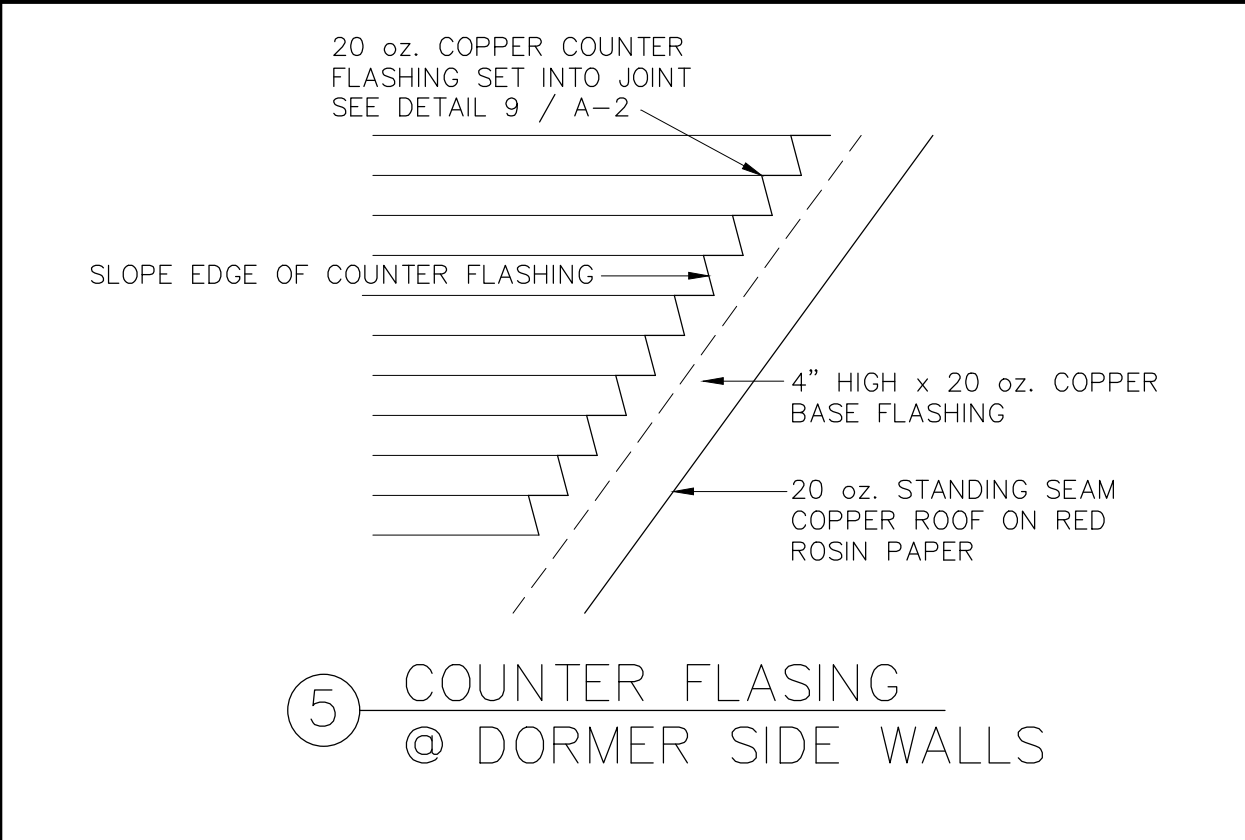
② ROOF EDGE



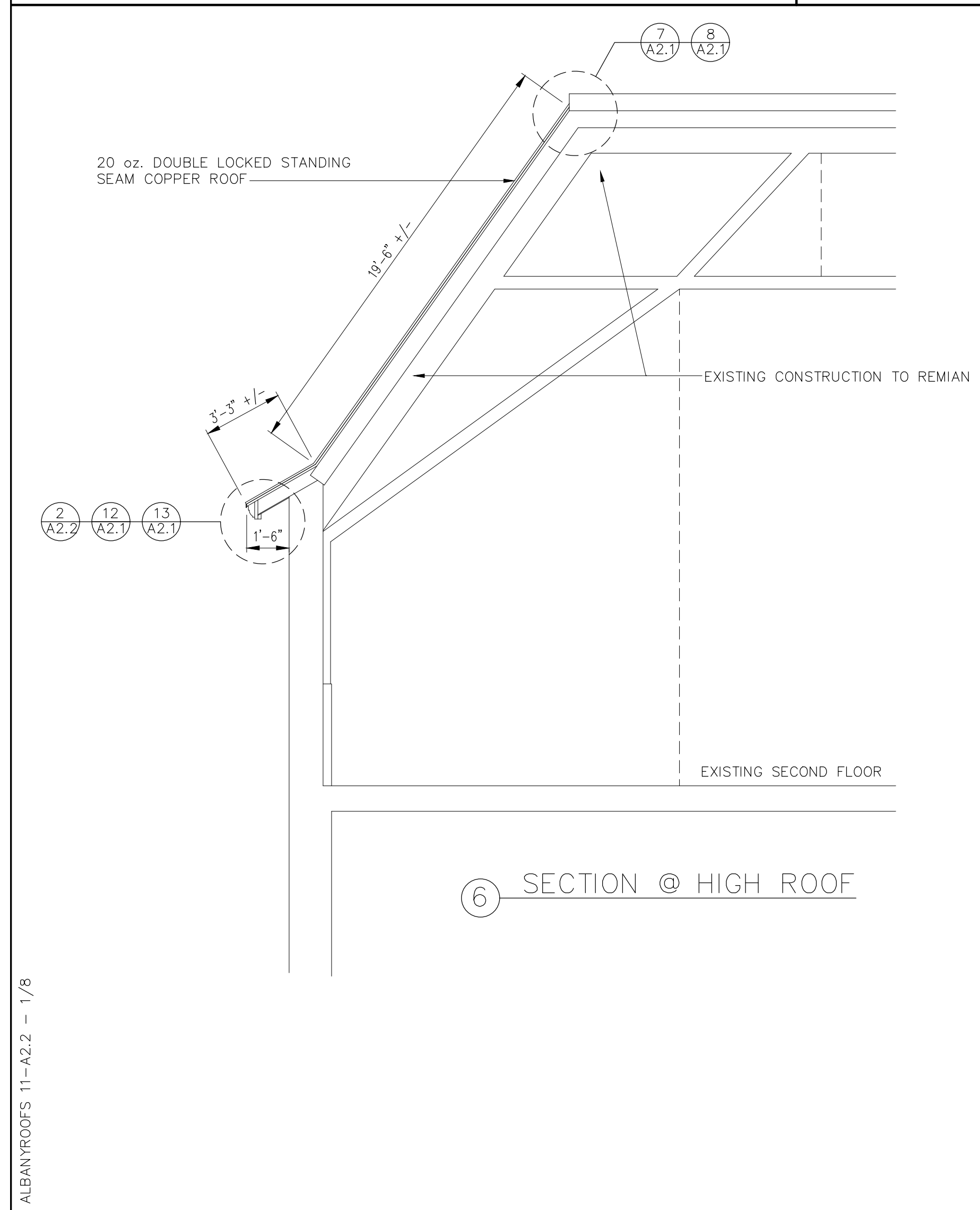
③ ROOF RIDGE



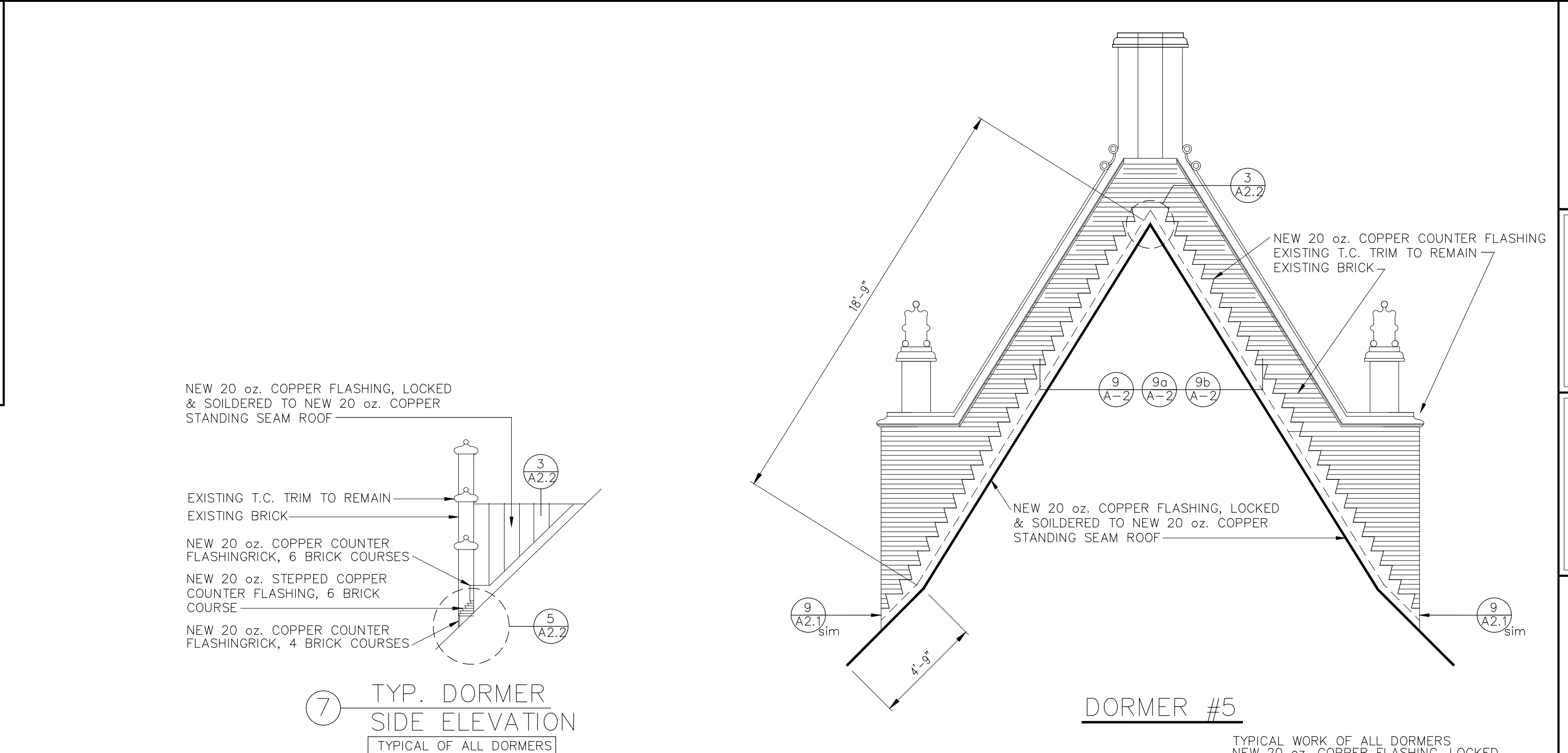
④ COUNTER FLASING @ DORMERS



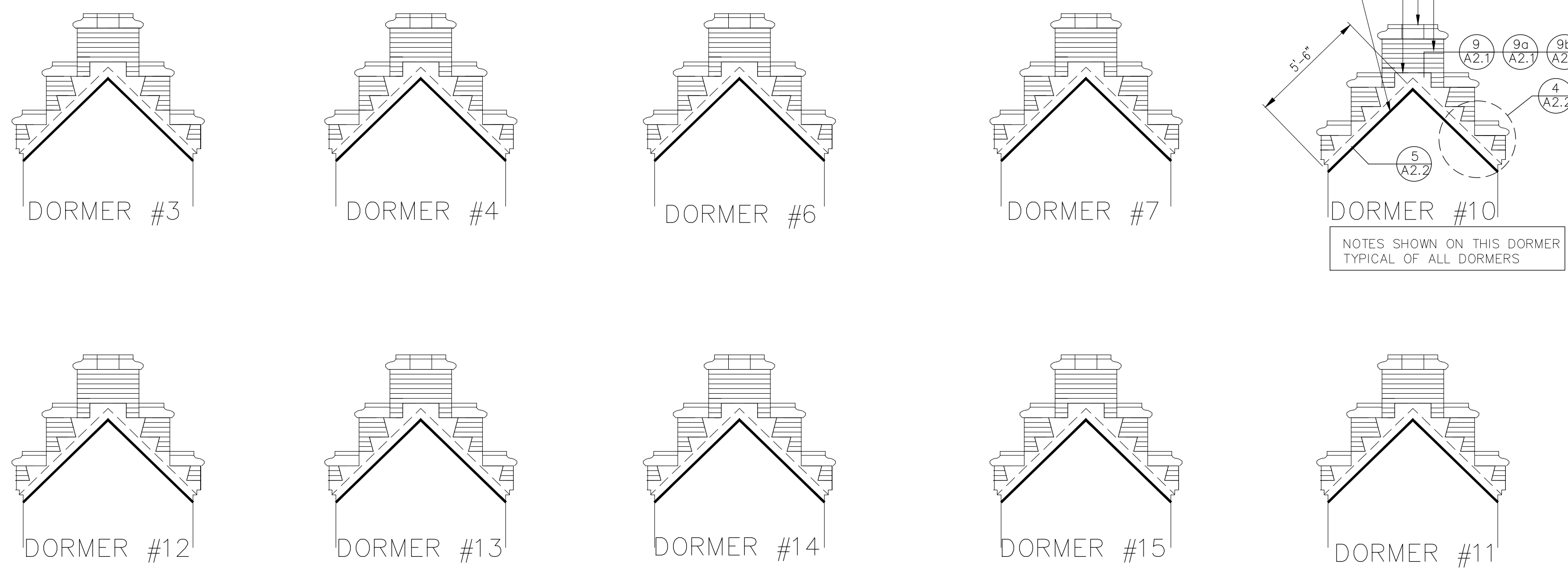
⑤ COUNTER FLASING @ DORMER SIDE WALLS



⑥ SECTION @ HIGH ROOF



⑦ TYP. DORMER SIDE ELEVATION
TYPICAL OF ALL DORMERS



INTERIOR ELEVATION OF SMALL DORMERS

MARSHAL ST.
DELAWARE AVE
ST. JAMES

LOCATION MAP

NO.	ISSUED	DATE

JAMES DALY TOBIN
ARCHITECTS

REGISTERED ARCHITECT
JAMES DALY TOBIN
NO. 14731
STATE OF NEW YORK

CITY OF ALBANY
DEPARTMENT OF GENERAL SERVICES
DIVISION OF ENGINEERING
ONE CORNERS BOULEVARD ALBANY, NEW YORK

ENGINE #9 FIRE HOUSE
DORMER ELEVATIONS

DATE
MARCH 1, 2019

SCALE
1/8" = 1'-0"

OPUS FILE
AR00FS11A2.2

NORTH

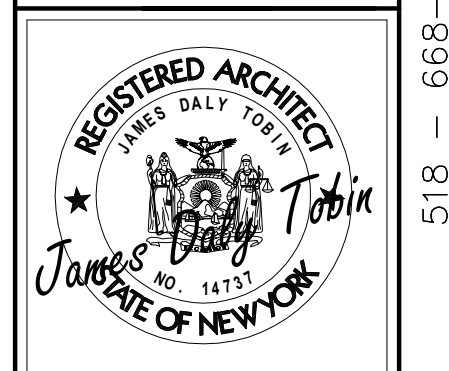
A-2.2

LAKE GEORGE, NEW YORK
15 DARK BAY LANE

518 - 668-3609

LOCATION MAP		
NO.	ISSUED	DATE

JAMES DALY TOBIN
ARCHITECTS



CITY OF ALBANY
DEPARTMENT OF GENERAL SERVICES
DIVISION OF ENGINEERING
ONE CORNERS BOULEVARD ALBANY, NEW YORK

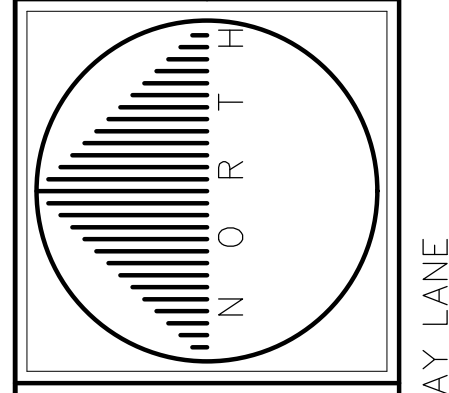
ENGINE #9
EXTERIOR ELEVATIONS & DETAILS

DATE
MARCH 1, 2019

SCALE
1/8" = 1'-0"

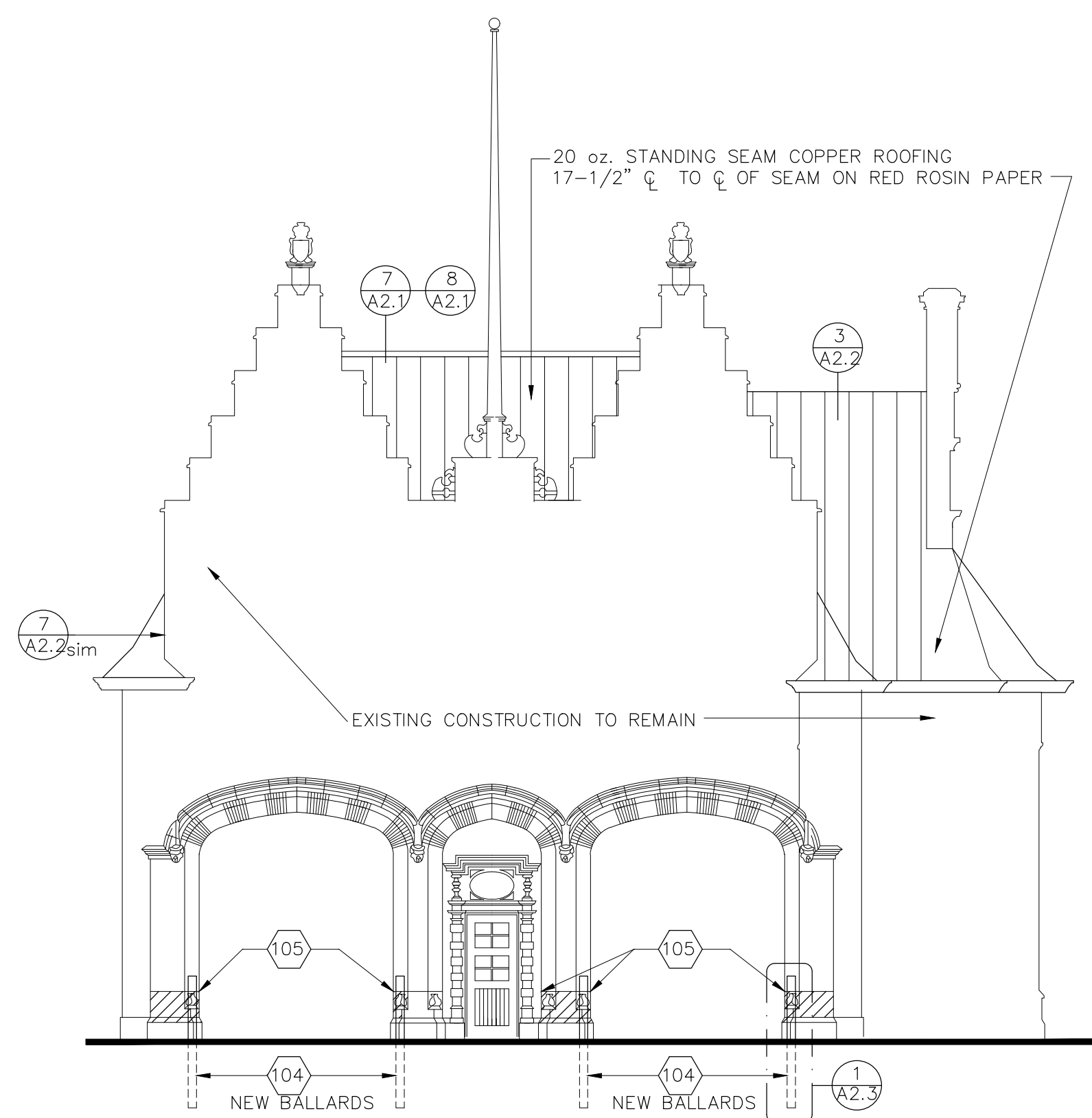
OPUS
18.126

FILE
ALBROOF11A2.3

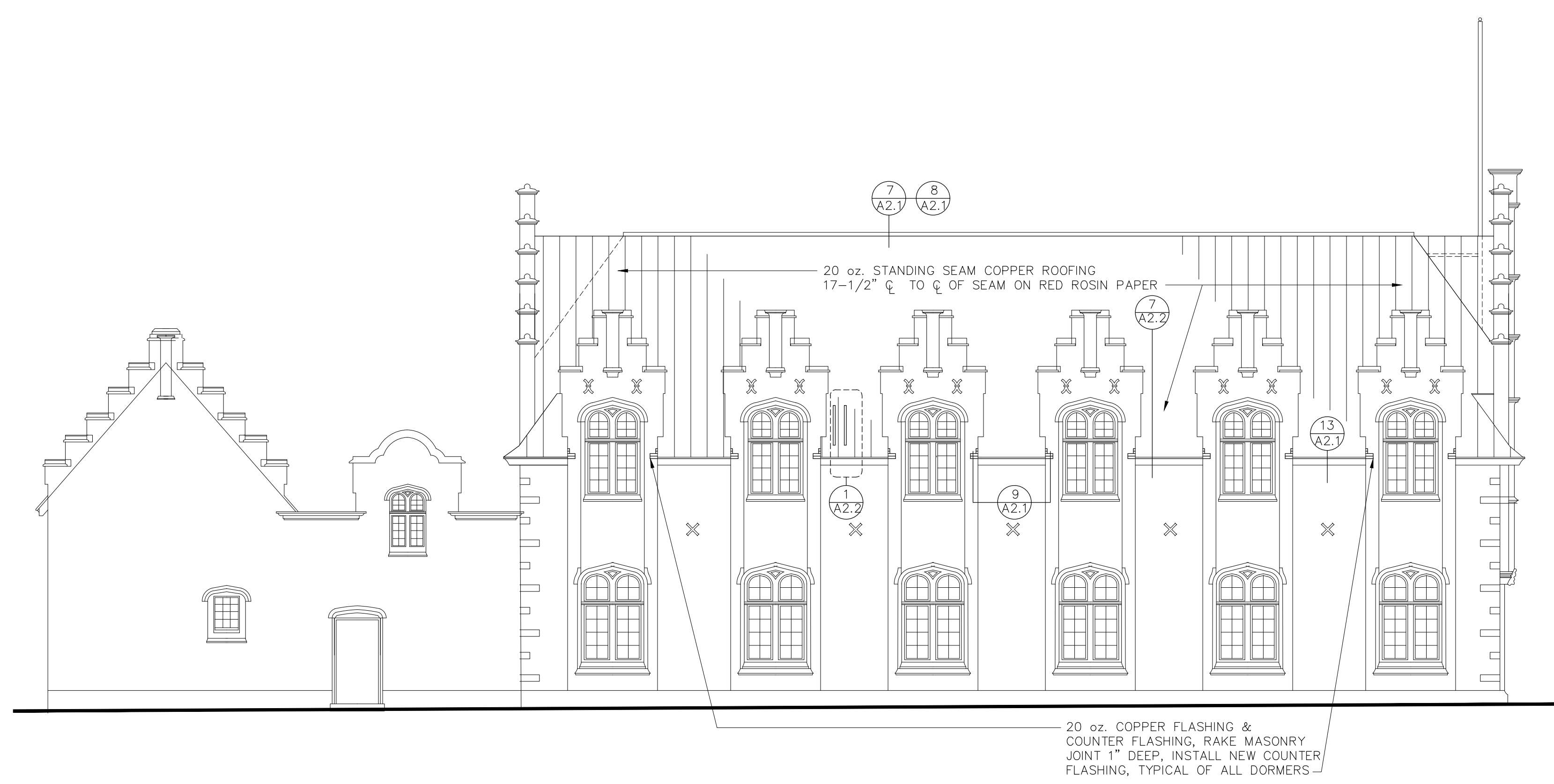


A-2.3

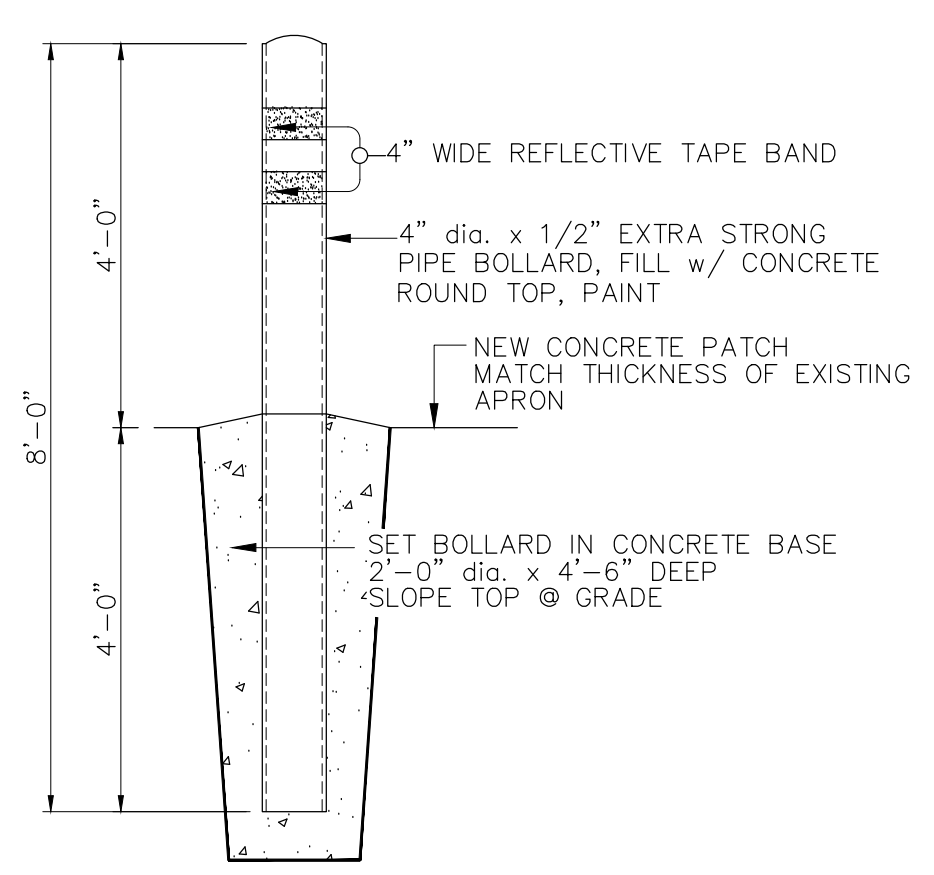
518 - 668-3609
LAKE GEORGE, NEW YORK
15 DARK BAY LANE



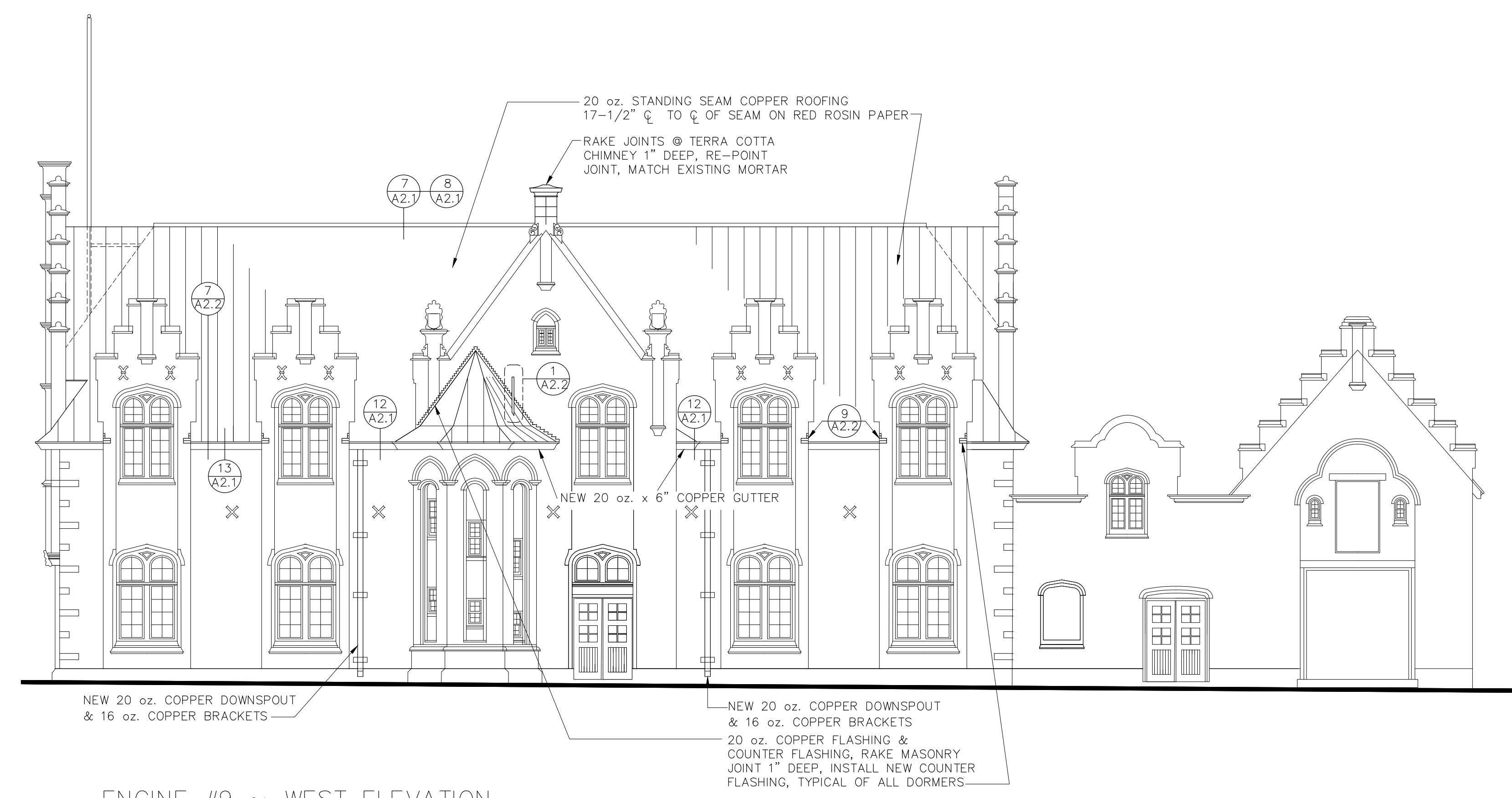
ENGINE #9 ~ WEST ELEVATION
SCALE 1/8" = 1'-0"



ENGINE #9 ~ EAST ELEVATION
SCALE 1/8" = 1'-0"



1 DETAIL
SCALE 1-1/2" = 1'-0"



ENGINE #9 ~ WEST ELEVATION
SCALE 1/8" = 1'-0"