

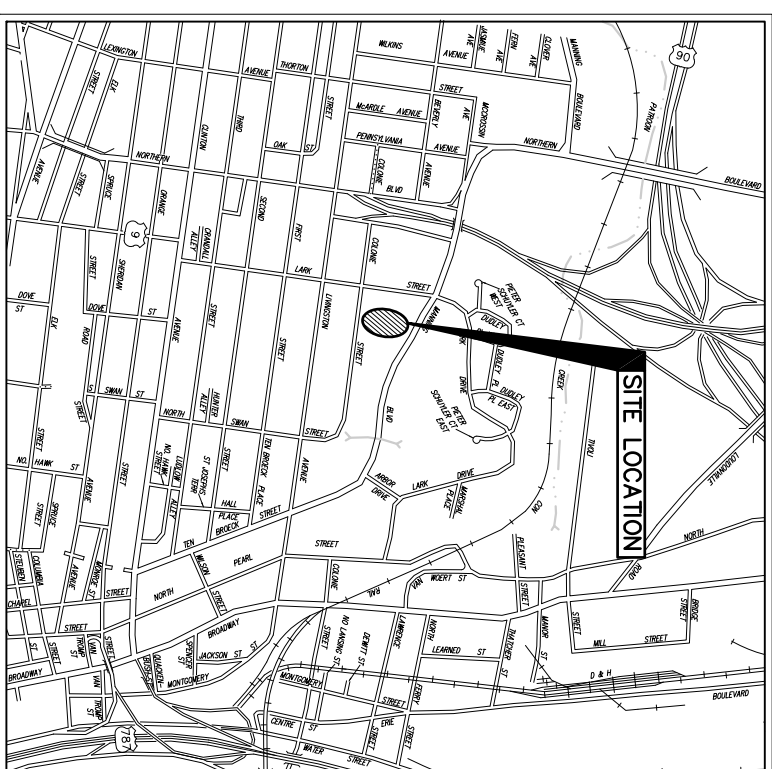
ARBOR HILL SOFTBALL FIELD GROUND WATER COLLECTION SYSTEM

GENERAL NOTES

1. ALL WORK SHALL BE DONE IN STRICT COMPLIANCE WITH ALL APPLICABLE NATIONAL, STATE AND LOCAL CODES, STANDARDS, ORDINANCES, RULES AND REGULATIONS.
2. EXISTING WATER MAIN & SANITARY SEWER SHOWN HEREIN WERE OBTAINED FROM THE CITY OF ALBANY RECORD DRAWINGS. THE LOCATION OF ALL UNDERGROUND UTILITIES SHOWN HEREON SHOULD BE VERIFIED BY THE CONTRACTOR PRIOR TO ANY CONSTRUCTION. THE CONTRACTOR SHALL BE RESPONSIBLE FOR VERIFYING THE LOCATION OF ALL UTILITIES BY CONTACTING THE UNDERGROUND FACILITIES PROTECTIVE ORGANIZATION AND/OR MUNICIPAL AGENCIES HAVING JURISDICTION SEVENTY-TWO (72) HOURS PRIOR TO ANY EXCAVATING AND/OR CONSTRUCTION. (800)-962-7962.
3. CONSTRUCTION OF ALL PROPOSED UTILITIES MUST BEGIN AT ITS POINT OF CONNECTION TO THE EXISTING UTILITY OR AT THE LOWEST POINT IN THE SYSTEM. RIMS, GRATES, INVERTS, CLEARANCES AND LOCATION AT CROSSINGS MUST BE VERIFIED PRIOR TO BEGINNING OF CONSTRUCTION.
4. ALL PROPOSED UTILITIES AND APPURTENANCES TO BE CONSTRUCTED IN COMPLIANCE WITH LOCAL MUNICIPALITIES AND CODES AND REGULATIONS GOVERNING THE INSTALLATION OF SUCH UTILITIES.
5. THE ENGINEER RESERVES THE RIGHT TO EXAMINE ANY WORK DONE ON THIS PROJECT AT ANY TIME TO DETERMINE THE PERFORMANCE WITH THE REQUIREMENTS OF THE CONTRACT DOCUMENTS OF THIS PROJECT, AS INTENDED AND INTERPRETED BY THE ENGINEER.
6. MISCELLANEOUS WORK NOT SPECIFICALLY SHOWN ON THE CONTRACT DRAWINGS SUCH AS PATCHING, BLOCKING, TRIMMING, ETC. SHALL BE PERFORMED AS REQUIRED TO MAKE THE WORK COMPLETE.
7. ALL DISTURBED AREA TO RECEIVE TOPSOIL, AND SEED, EXCEPT AS OTHERWISE NOTED.
8. THE CONTRACTOR SHALL:
 - A. VERIFY ALL CONDITIONS IN THE FIELD PRIOR TO COMMENCEMENT OF WORK AND NOTIFY THE ARCHITECT/ENGINEER OF ANY DISCREPANCIES.
 - B. PROVIDE AND INSTALL ALL MATERIALS AND PERFORM ALL WORK IN ACCORDANCE WITH RECOGNIZED GOOD STANDARD PRACTICES.
9. ALL BACKFILL USED IN TRENCHES EXCAVATED IN EXISTING ROADWAYS SHALL BE PLACED IN MAXIMUM SIX (6) INCH LIFTS AND COMPACTED BY MEANS OF A MECHANICAL COMPACTOR BETWEEN LIFTS.

DRAWING LEGEND

---	EXISTING WATERLINE
---	EXISTING UNDERGROUND ELECTRIC
---	EXISTING IRRIGATION WATERLINE
☆	EXISTING LIGHT POLE
☼	EXISTING TREE
---	EXISTING FENCE
---	PROPOSED HDPE PIPING
---	PROPOSED PERFORATED HDPE PIPING
■	PROPOSED CATCHBASIN



SITE LOCATION MAP



MATERIAL SPECIFICATIONS

TOPSOIL
FERTILE, FRIABLE, NATURAL LOAM FREE OF SUBSOIL, CLAY LUMPS, BRUSH, STONES, OR OTHER DELETERIOUS MATERIALS LARGER THAN TWO (2) INCHES IN GREATEST DIMENSION, CONFORMING TO THE REQUIREMENTS OF NYS DOT SECTION 713-01 AND MEETING THE FOLLOWING GRADATION REQUIREMENTS:

SIEVE	PERCENT PASSING
2"	100
1 1/4"	85 - 100
NO. 200	20 - 80

a. PH RANGE: 5.5 - 7.6
b. ORGANIC CONTENT: 2% - 20%

PIPE ZONE BEDDING
SOUND, DRAINABLE SAND, GRAVEL, STONE OR BLENDS OF THESE MATERIALS FREE FROM ORGANIC, FROZEN OR OTHER DELETERIOUS MATERIALS, TO MEET THE REQUIREMENTS OF NYS DOT SECTION 30 AND MEETING THE FOLLOWING GRADATION REQUIREMENTS (NYS DOT SUBBASE TYPE 4):

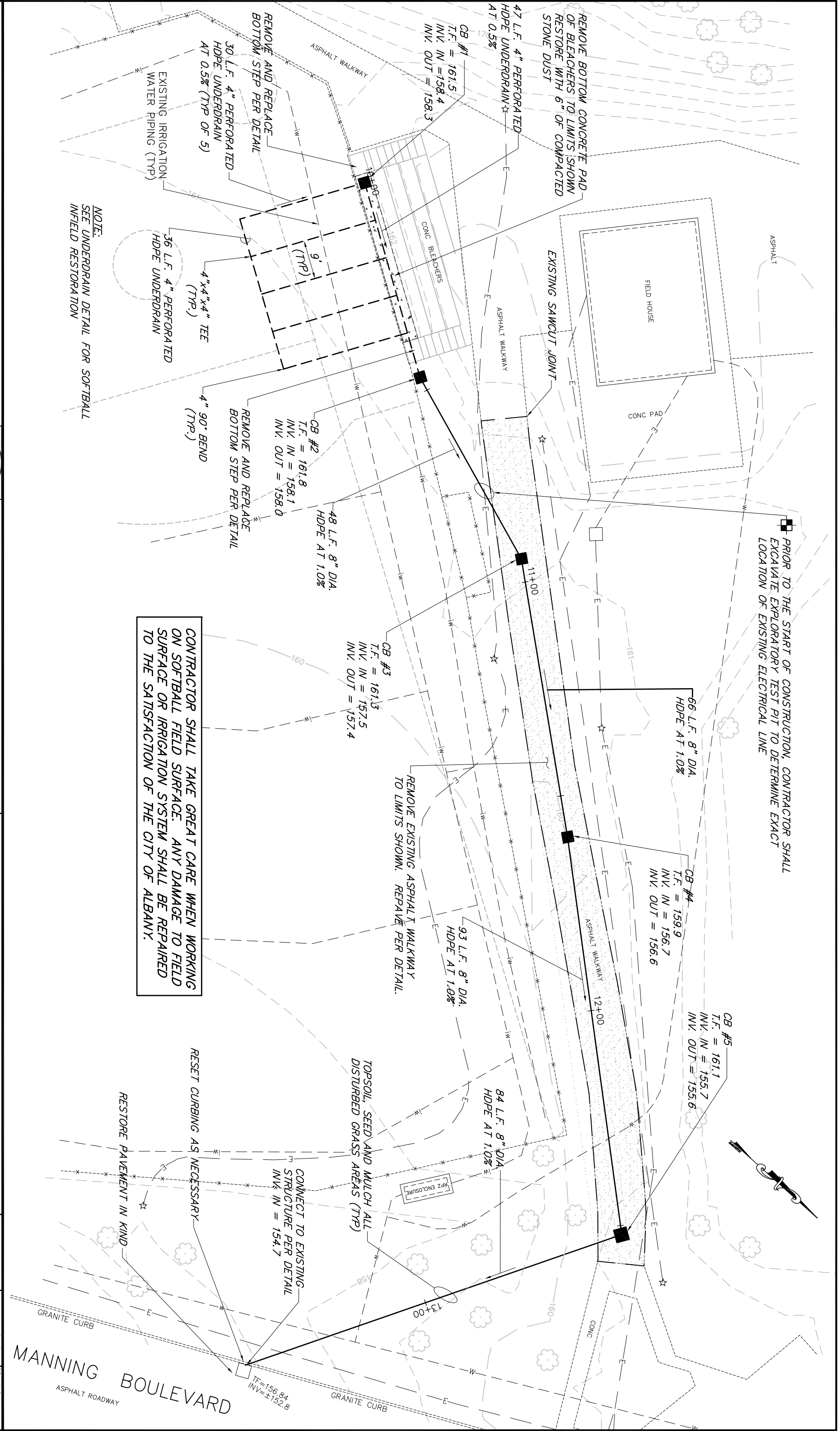
SIEVE	PERCENT PASSING
2"	30 - 65
1 1/4"	5 - 40
NO. 40	0 - 10
NO. 200	100

- HIGH-DENSITY POLYETHYLENE PIPE (HDPE)**
1. HIGH-DENSITY POLYETHYLENE PIPE (HDPE) SHALL BE ADS N-12 AS MANUFACTURED BY ADVANCED DRAINAGE SYSTEMS (ADS), OR APPROVED EQUIV. CONFORMING TO THE REQUIREMENTS OF AASHTO M-294.
 2. PIPE SHALL HAVE A SMOOTH INTERIOR AND ANNULAR EXTERIOR CORRUGATIONS.
 3. PROVIDE PERFORATIONS WHERE INDICATED.
 4. COUPLINGS:
 - a. MAKE FIELD JOINTS WITH HDPE BAND COUPLERS FROM THE SAME MANUFACTURER.
 - b. PROVIDE COUPLERS WITH CORRUGATION TO MATCH THE PIPE CORRUGATIONS AND WITH A WIDTH NOT TO BE LESS THAN ONE-HALF THE NOMINAL DIAMETER OF THE PIPE. SPLIT COUPLERS SHALL BE MANUFACTURED TO ENGAGE AN EQUAL NUMBER OF CORRUGATIONS ON EACH SIDE OF THE PIPE JOINT.

DRAWING INDEX

COVER SHEET	SITE PLAN
P-1.....	DETAILS
D-1.....	

FEBRUARY 2019



PRIOR TO THE START OF CONSTRUCTION, CONTRACTOR SHALL EXCAVATE EXPLORATORY TEST PIT TO DETERMINE EXACT LOCATION OF EXISTING ELECTRICAL LINE

CONTRACTOR SHALL TAKE GREAT CARE WHEN WORKING ON SOFTBALL FIELD SURFACE. ANY DAMAGE TO FIELD SURFACE OR IRRIGATION SYSTEM SHALL BE REPAIRED TO THE SATISFACTION OF THE CITY OF ALBANY.

NOTE:
SEE UNDERDRAIN DETAIL FOR SOFTBALL INFIELD RESTORATION

REVISION HISTORY	
No.	DESCRIPTION



CITY OF ALBANY - DIVISION OF ENGINEERING
DEPARTMENT OF GENERAL SERVICES
 One Corners Boulevard
 Albany, New York 12204

ARBOR HILL SOFTBALL FIELD
GROUND WATER COLLECTION SYSTEM
SITE PLAN

DESIGNED BY: W.L. DATE: 02/05/2019
 DRAWN BY: W.L. DATE: 02/05/2019
 CHECKED BY: SFG DATE: 02/05/2019

SCALE: 1"=20'
 DATED: FEBRUARY 2019

PLLOT SCALE: DRAWING: **P-1**
 SHT. 2 OF 3

Katherine M. Sheehan
 Mayor

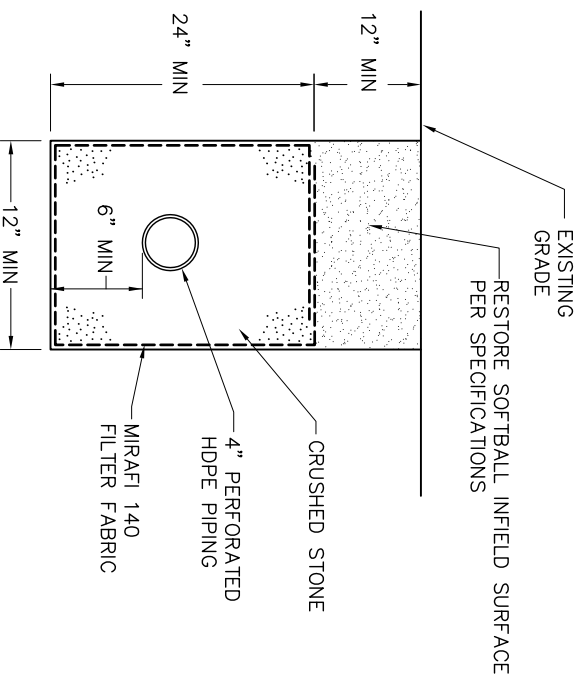
Randall J. Milgno, P.E.
 City Engineer

SCALE: 1"=20'

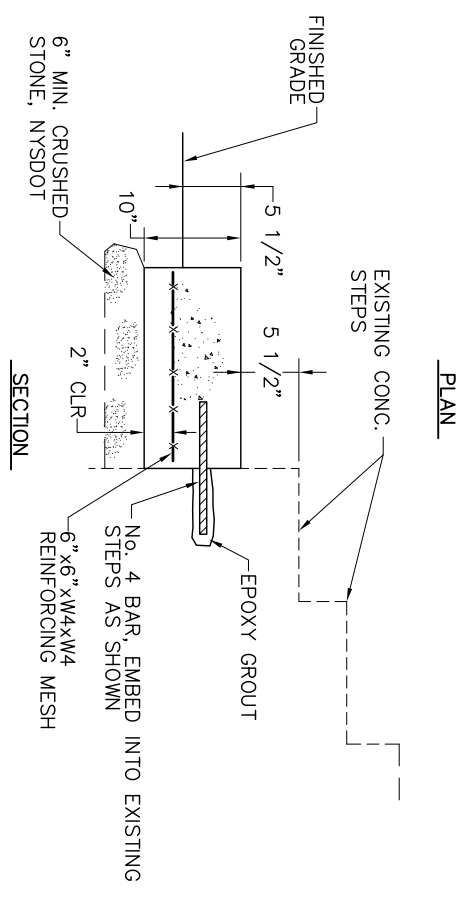
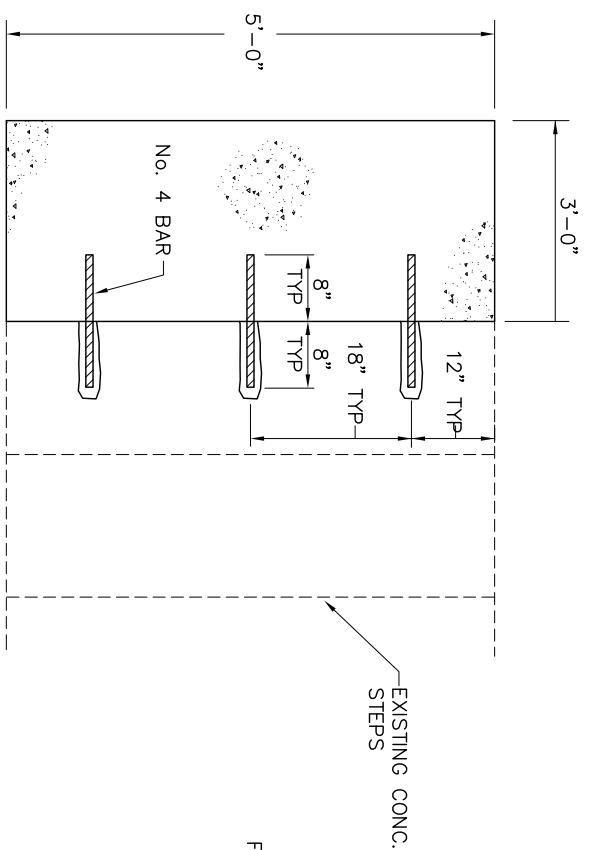
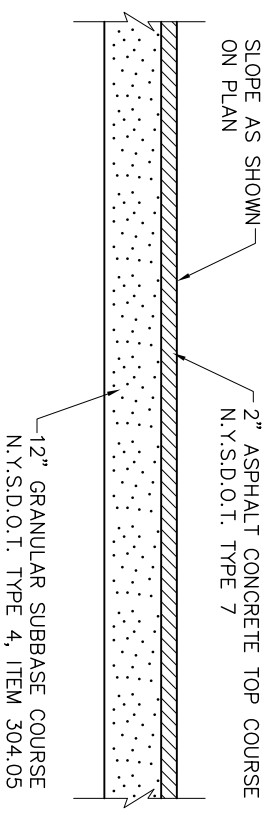
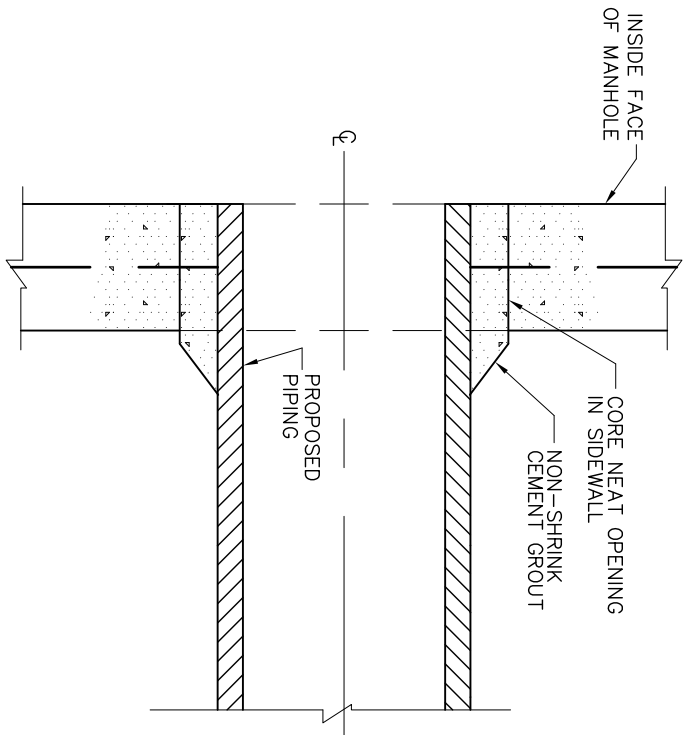
DATED: FEBRUARY 2019

DESIGNED BY: W.L. DATE: 02/05/2019
 DRAWN BY: W.L. DATE: 02/05/2019
 CHECKED BY: SFG DATE: 02/05/2019

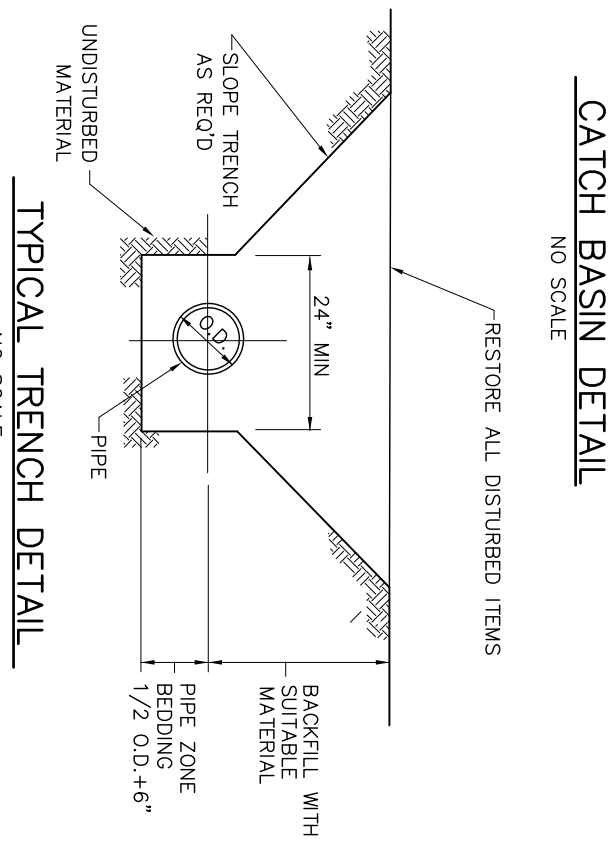
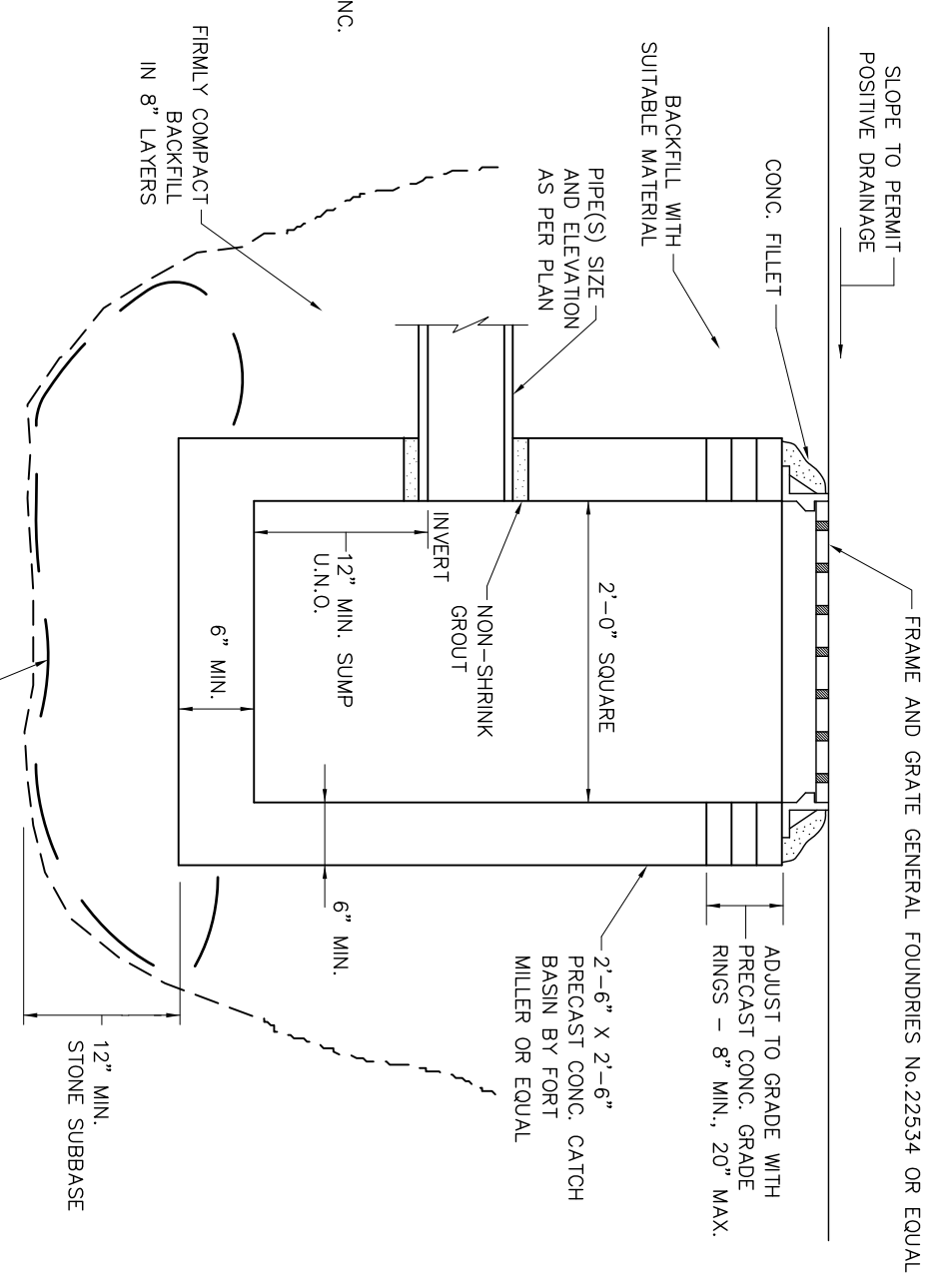
PLLOT SCALE: DRAWING: **P-1**
 SHT. 2 OF 3



SOFTBALL FIELD INFIELD MIX
 BEAM CLAY LITE MIX (COLOR RED) AS MANUFACTURED BY
 PARTAC PEAT CORPORATION, DURAREDGE CLASSIC (COLOR
 AS MANUFACTURED BY DURAREDGE, OR APPROVED EQUAL,
 INSTALL TO A MINIMUM DEPTH OF 4 INCHES




- CONCRETE STEP RESTORATION DETAIL**
 NO SCALE
1. THE CONCRETE USED SHALL BE PORTLAND CEMENT, AIR-ENTRAINED, CLASS "A" CONCRETE WITH AN AIR CONTENT OF 5% MIN., TO 7% MAX., AND A SLUMP OF THREE INCHES, MIN., TO FIVE INCHES, MAX.
 2. STEP SHALL BE FINISHED WITH A BROOM FINISH.
 3. STEP SHALL BE INSTALLED WITH A MAXIMUM CROSS SLOPE OF 1.0%




- TYPICAL TRENCH DETAIL**
 NO SCALE
1. BACKFILL MATERIAL SHALL BE DEPOSITED IN HORIZONTAL LAYERS NOT EXCEEDING 8 INCHES IN LOOSE THICKNESS OR AS SHOWN ON THE CONTRACT DRAWINGS AND THOROUGHLY COMPACTED BY PNEUMATIC TAMPERS TO THE SATISFACTION OF THE ENGINEER.

REVISION HISTORY	
No.	BY: DATE: DESCRIPTION


CITY OF ALBANY - DIVISION OF ENGINEERING
DEPARTMENT OF GENERAL SERVICES
 One Conners Boulevard
 Albany, New York 12204

ARBOR HILL SOFTBALL FIELD
GROUND WATER COLLECTION SYSTEM
DETAILS

DESIGNED BY: WJL	DATE: 02/05/2019	
DRAWN BY: WJL	DATE: 02/05/2019	
CHECKED BY: SFG	DATE: 02/05/2019	

SCALE: NONE
 DATED: FEBRUARY 2019
 PLOT SCALE:
 SHEET: 3 OF 3